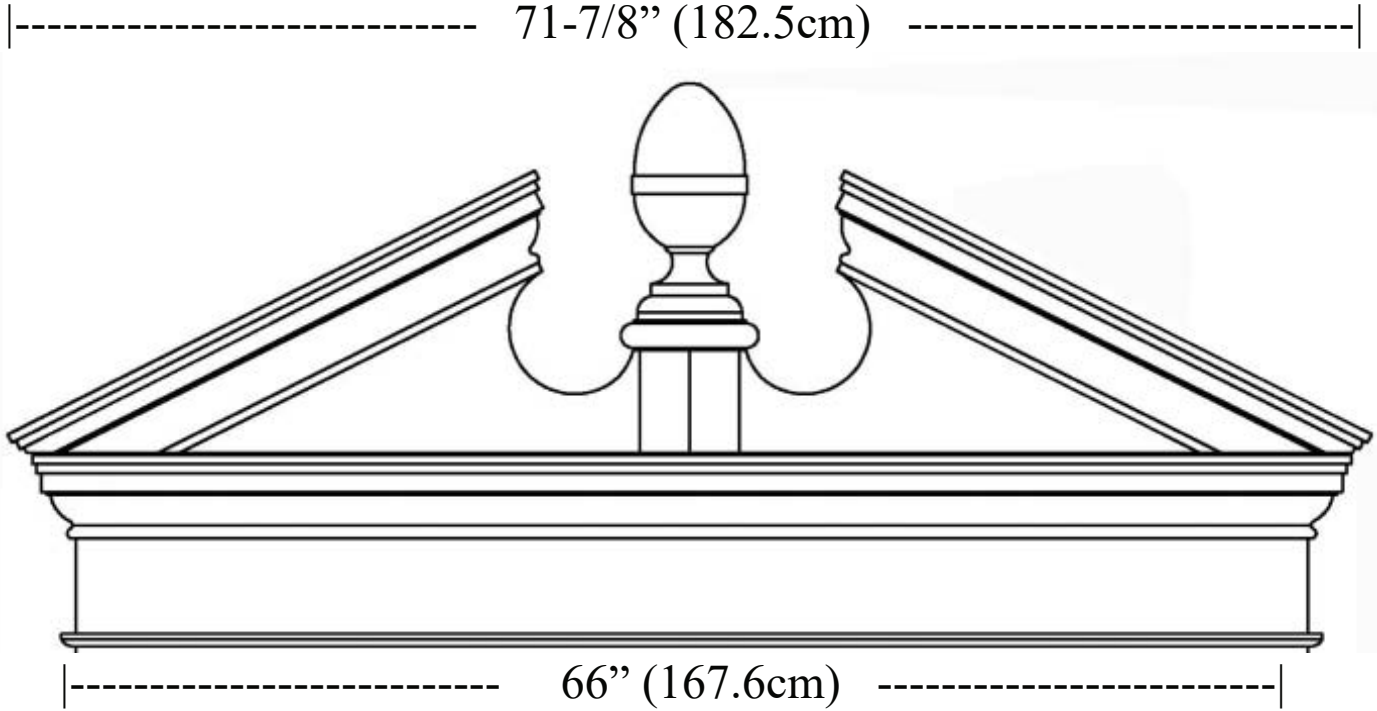




# Acorn Pediment

## IPPED1906

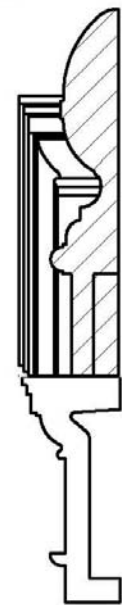
## ArchPolymer™



4"

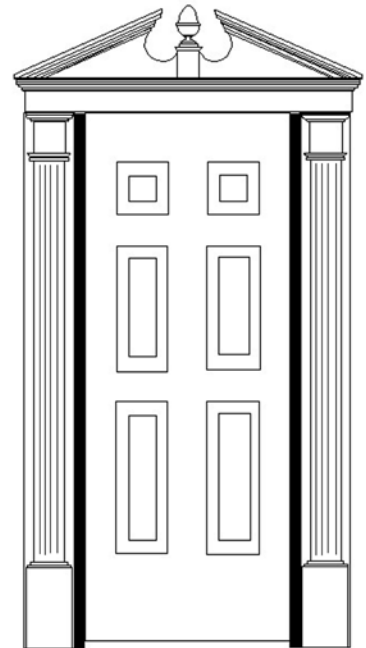
18-3/16"  
46.2cm

9-1/4"



2-1/4"

*Suggest Use  
with Pilasters  
or Half Columns*



Total  
Height  
27-7/16"  
69.6cm

*\* assembly required, drawing not to scale*

\* All specifications subject to change without notice, Final products & Measurements may vary from this brochure



**Imperial Productions®**

1-800-399-7585

Imperial Productions & Distribution Inc New York / Toronto

email sales@imperialproductions.com copyright 2016 MRDCI All Rights Reserved



# Imperial Productions® Request for Quote

Download, Fill-in & Email to [sales@imperialproductions.com](mailto:sales@imperialproductions.com)

Name / Company: \_\_\_\_\_

Phone \_\_\_\_\_ Email \_\_\_\_\_

Billing Address: \_\_\_\_\_

City: \_\_\_\_\_ Prov / State \_\_\_\_\_

PC / Zip Code \_\_\_\_\_

Ship to Address: \_\_\_\_\_

City: \_\_\_\_\_ Prov / State \_\_\_\_\_

PC / Zip Code \_\_\_\_\_

Product Code: \_\_\_\_\_

Quantity: \_\_\_\_\_

Notes: \_\_\_\_\_



Imperial Productions®

1-800-399-7585

Imperial Productions & Distribution Inc Toronto / New York

email [sales@imperialproductions.com](mailto:sales@imperialproductions.com) copyright 2016 MRDCI All Rights Reserved